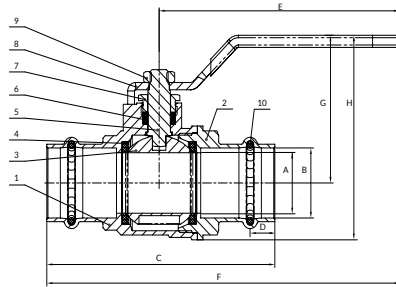


## 1/2" - 2"



### FEATURES & BENEFITS

- 2-Piece Forged Brass Body
- Full Port
- PTFE-Adjustable Packing
- Blow-out Proof Stem
- Press Indicator
- Used with Ridgid, Milwaukee, Dewalt, and Rothenburger Tools

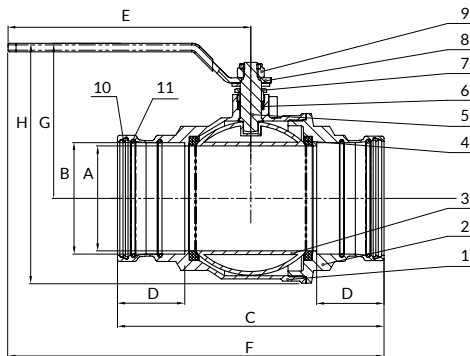
### RATING

- 250 CWP
- Temperature: 180° F

### MATERIALS

- 1/2" - 2" Press Indicator
- 2-1/2" - 4" Press (XLC Design) Indicator

## 2-1/2" - 4"



Number	Part	Material	Specification
1	Body	Lead-Free Brass	C46500
2	Bonnet	Lead-Free Brass	C46500
3	Ball 1/2" - 1"	Lead-Free Brass	C46500: Cr. Plated
	Ball 1-1/4" - 4"	Stainless Steel	AISI 304
4	Seat	PTFE	PTFE
5	Stem	Brass	HPb59-1
6	Packing	PTFE	PTFE
7	Adjustable Nut	Brass	HPb59-3
8	Handle	Steel	Q235: Zn Plated
9	Handle Nut	Steel	Q235: Plated
10	O-Ring	EPDM	EPDM
11	Clamp	Steel	65Mn

### DIMENSIONS BY SIZE

	1/2"	3/4"	1"	1 1/4"	1 1/2"	2"	2 1/2"	3"	4"
A	0.59	0.73	0.98	1.26	1.50	1.97	2.52	2.95	3.90
B	0.64	0.89	1.14	1.39	1.64	2.13	2.70	3.20	4.14
C	3.03	3.66	4.00	4.61	5.28	6.65	7.03	8.19	9.90
D	0.35	0.40	0.45	0.45	0.54	0.63	1.89	2.24	2.50
E	3.19	4.21	4.21	5.35	5.35	6.50	9.04	9.04	9.04
F	4.71	6.04	6.18	7.62	7.91	9.72	12.56	13.13	13.97
G	1.74	2.12	2.40	2.91	3.09	3.44	4.84	5.12	5.76
H	2.35	2.87	3.33	4.05	4.40	5.11	6.96	7.56	8.91

FANOVO INDUSTRIES LIMITED  
 Yuhuan Sci-tech Industrial Zone, Chumen  
 Town, Yuhuan County, Taizhou, Zhejiang,  
 China 317605  
 PHONE: 13056858961  
 EMAIL: AILSAF@FANOVOGROUP.COM

PROJECT:	SUBMITTED BY: