

# LEAD-FREE GATE VALVE - 125 CLASS WITH FIP THREADED ENDS

Complies with Lead-Free Plumbing Laws

200 WOG

125 WSP

Maximum temperature: 350°F

NPT Threaded Ends to ANSI B1.20.1

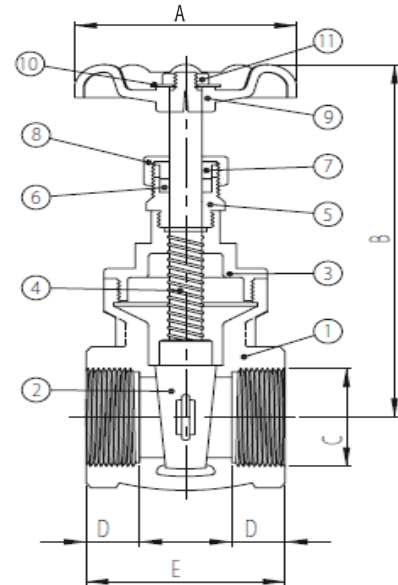
Non-Rising Stem

PTFE Packing



## MATERIALS

NO.	PART	MATERIAL	QTY
1	Body	Lead-Free Brass	1
2	Disc	Lead-Free Brass	1
3	Bonnet	Lead-Free Brass	1
4	Stem	Lead-Free Brass	1
5	Stuffing Box	Lead-Free Brass	1
6	Packing	PTFE	1
7	Packing Gland	Brass	1
8	Packing Nut	Brass	1
9	Hand Wheel	Cast Iron	1
10	Name Plate	Aluminum	1
11	Handle Nut	Steel	1



## SIZES

DIMENSIONS											
	1/4"	3/8"	1/2"	3/4"	1"	1 1/4"	1 1/2"	2"	2 1/2"	3"	4"
<b>A</b>	1.88	1.88	2.11	2.42	2.70	2.89	3.41	4.04	4.57	4.96	6.06
<b>B</b>	3.38	3.38	3.75	4.13	5.00	5.50	6.00	7.25	9.50	10.00	10.75
<b>C</b>	NPT 1/4"	NPT 3/8"	NPT 1/2"	NPT 3/4"	NPT 1"	NPT 1 1/4"	NPT 1 1/2"	NPT 2"	NPT 2 1/2"	NPT 3"	NPT 4"
<b>D</b>	0.41	0.41	0.43	0.57	0.61	0.71	0.77	0.87	0.98	1.22	1.24
<b>E</b>	1.71	1.71	1.69	2.01	2.20	2.64	2.87	3.23	4.02	4.59	4.74
Weight (lbs.)	0.65	0.55	0.80	1.20	1.75	2.35	3.15	4.90	9.90	14.10	19.70



DATE: