

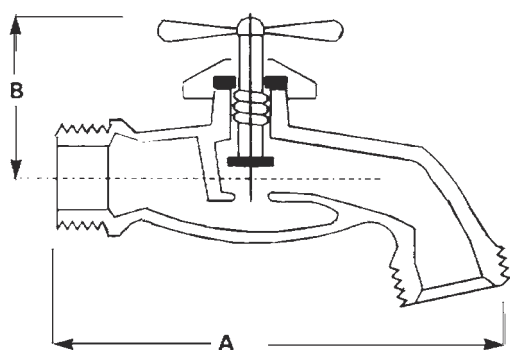
Hose Bibbs

Hose Bibb

Inlet: 1/2" MIP Threaded or Solder

3/4" MIP Threaded Only

Outlet: Hose Thread



DIMENSIONS:

		1/2	3/4
A	<i>Inlet to Center of Hose Connection</i>	3.68	3.60
B	<i>Center of Inlet to Top</i>	1.76	1.70
	<i>Weight lbs.</i>	0.33	0.41



DATE: