

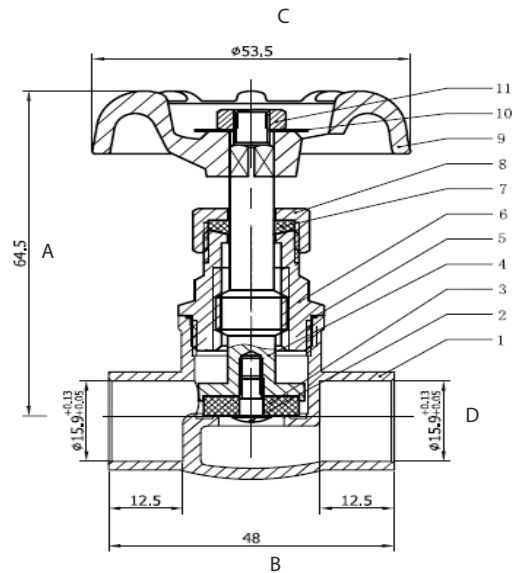
# LEAD-FREE STOP VALVE WITH SOLDER ENDS

Solder Ends comply with ANSI/ASME B1.20.1  
Complies with Lead-Free Plumbing Laws



## MATERIALS

NO.	PART	MATERIALS	QTY
1	Body	Lead-Free Brass	1
2	Screw	Steel	1
3	Washer	EPDM	1
4	Stem	Lead-Free Brass	1
5	Washer	PTFE	1
6	Bonnet	Lead-Free Brass	1
7	Stem Packing	PTFE	1
8	Packing Nut	Brass	1
9	Hand Wheel	Cast Iron	1
10	Nameplate	Aluminum	1
11	Hand Wheel Nut	Steel	1



## SIZES

DIMENSIONS	DIMENSIONS	
	1/2"	3/4"
A	2.64	2.64
B	1.89	2.58
C	2.13	2.13
D	0.63	0.88

DATE:

